

Plastic square shape inductive sensors **LE40SZ** series

**Features**

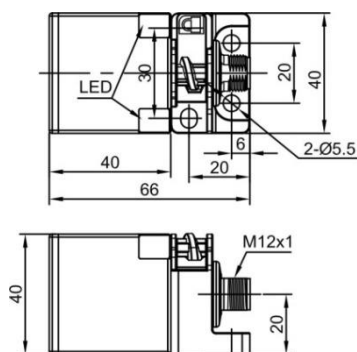
- ◆ Wider voltage range;
- ◆ Self-developed IC design, more reliable;


**Part number**

NPN NO	LE40SZSF15ENO-E2	LE40SZSN20ENO-E2	PNP NO	LE40SZSF15EPO-E2	LE40SZSN20EPO-E2
NPN NC	LE40SZSF15ENC-E2	LE40SZSN20ENC-E2	PNP NC	LE40SZSF15EPC-E2	LE40SZSN20EPC-E2
NPN NO+NC	LE40SZSF15ENR-E2	LE40SZSN20ENR-E2	PNP NO+NC	LE40SZSF15EPR-E2	LE40SZSN20EPR-E2

**Technical specifications**

Mounting	Flush	Non-flush	Current consumption	≤10mA	
Rated distance [Sn]	15mm	20mm	Circuit protection	Short-circuit, overload and reverse polarity	
Assured distance [Sa]	0...12mm	0...16mm	Output indicator	Yellow LED	
Dimensions	40*40*66mm		Ambient temperature	-25°C...70°C	
Output	NO/NC(depends on part number)		Ambient humidity	35...95%RH	
Supply voltage	10...60 VDC		Switching frequency [F]	500 Hz	300 Hz
Standard target	Fe 45*45*1t	Fe 60*60*1t	Voltage withstand	1000V/AC 50/60Hz 60s	
Switch-point drifts[%/Sr]	≤ ± 10%		Insulation resistance	≥50MΩ(500VDC)	
Hysteresis range [%/Sr]	1...20%		Vibration resistance	10...50Hz (1.5mm)	
Repeat accuracy [R]	≤ 3%		Degree of protection	IP67	
Load current	≤ 200mA		Housing material	PBT	
Residual voltage	≤ 2.5V		Connection type	M12 connector	

**Dimensions**

**Wiring diagram**
